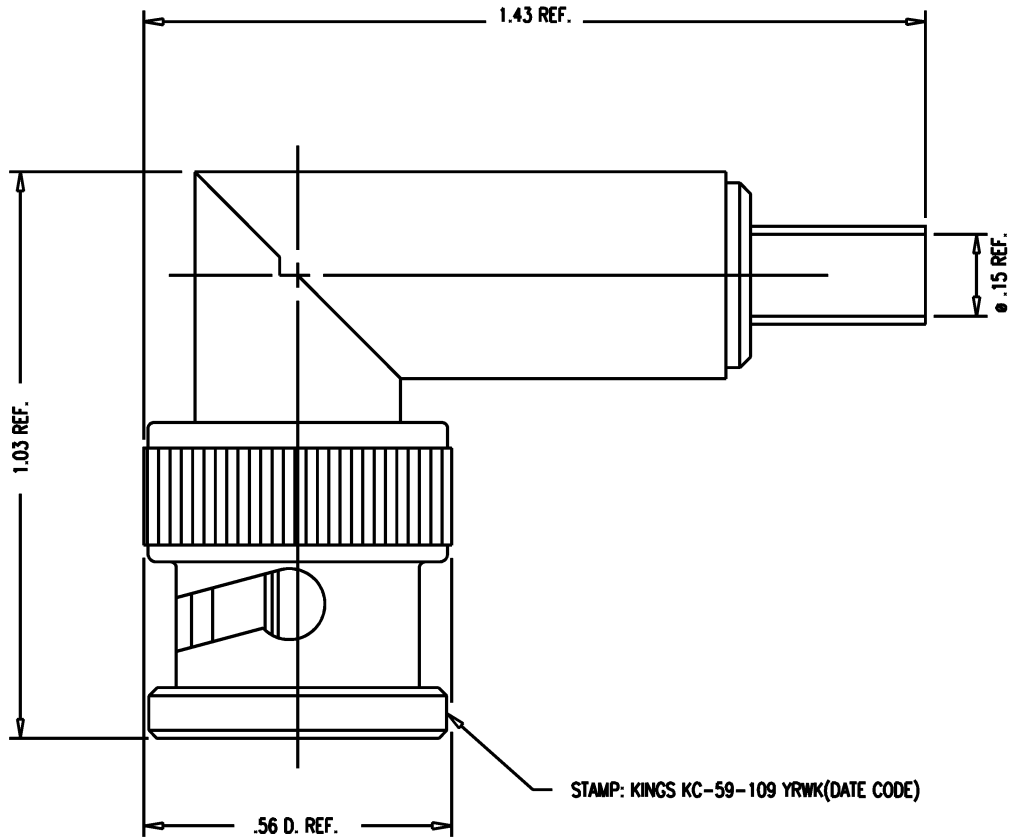


DASH NO.	M CODE	MADE FROM
----------	--------	-----------

GSD

KC-59-109

REVISIONS	
ISSUE	CHANGES
9	CN 39383 E REDRAWN DRK 01/04/06



NOTES:

- FOR USE WITH RG-174, 179, 187 AND 188 /U CABLES.
- FOR CABLING INSTRUCTIONS SEE CP-406.
- FOR CRIMPING USE DIE SIZE 32.
- INTERFACE PER MIL-STD-348, FIG. 301-1.
- MATERIALS:
 - INSULATORS: TEFLON, ASTM-D-4894
 - GASKET: SILICONE RUBBER, A-A-59588
 - K-GRIP SLEEVE: COM. BRONZE, ASTM-B-135
 - ANGLE CONTACT } BER. COPPER, ASTM-B-196
 - OUTER CONTACT }
 - SPRING WASHER }
 - ALL OTHER METAL PARTS: BRASS, ASTM-B16
- FINISHES:
 - ALL METAL PARTS: SILVER PLATE PER ASTM-B700.
- ELECTRICAL CHARACTERISTICS:
 - NOMINAL IMPEDANCE: 50 OHMS
 - WORKING VOLTAGE: 500 VRMS
 - FREQUENCY RANGE: DC TO 4 GHz

SCALE	4:1
APPROX SURFACE AREA	
USED ON	
REF:	MCDONNELL DOUGLAS, SM3088-1
PLUG, ANGLE, BNC	
DRAWN DRK	02/16/05
DESIGN	DATE
APPR.	DATE

KINGS
ELECTRONICS CO., INC.
ROCK HILL, SOUTH CAROLINA 29730

GSD

KC-59-109